

Controller @PLC-C101-CO

CPU

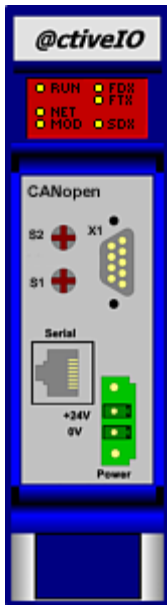


- CANopen Fieldbus
- Baudrate 20kBaud to 1000kBaud
- RS232 for programming and diagnostic
- High grade CPU for applications
- IEC 1131 programmable

TR-Systemtechnik GmbH, Eglishalde 16, 78647 Trossingen, Tel.: +49 (0) 7425 228-0, Fax: +49 (0) 7425 228-34, www.activeio.de, info@tr-systemtechnik.de

Pinout

LED:	RUN	see Notes
	NET	
	MOD	
	FDX	
	FTX	
	SDX	



Node ID / Baudrate:	
S1	see Notes
S2	
CANopen X1:	
Pin 2	CAN_L
Pin 3	CAN_GND
Pin 5	CAN_SHLD
Pin 7	CAN_H
Serial:	
Pin 1	TxD RS232
Pin 2	RxD RS232
Pin 3	reserved
Pin 4	reserved
Pin 5	0V
Pin 6	nc.
Pin 7	RS485+
Pin 8	RS485-
Power:	
Pin 1	+24V=
Pin 2	0V

Attributes

Fieldbus Interface:

The @C100-CO connects the CANopen bus system to the IO-Moduls.

The @C100-CO contains a C165 µController

Address:

The CAN bus-address can be adjusted with two Dec-rotary-switches (S1/S2).

CPU specifications:

Flash memory : 1 MByte (16 Bit)
 SRAM : 1 MByte (16 Bit)
 NVRAM : 32 kByte (8 Bit)
 CPU clock : 44 MHz

CAN specifications:

CAN controller : SJA1000

System specifications:

- Hardware supervisor system :
- temperature control
 - power control
 - hardware watchdog
 - power fail system
 - supports UPS

Electrical Data

Power supply external.....	+24V= ± 20%, see notes
Operating Current	115mA at +24V, burden free without @Modules
Input protection	30V overvoltage, surge
Serial Interface	RS232

Controller @PLC-C101-CO

System Information

System ID	0x1122
-----------------	--------

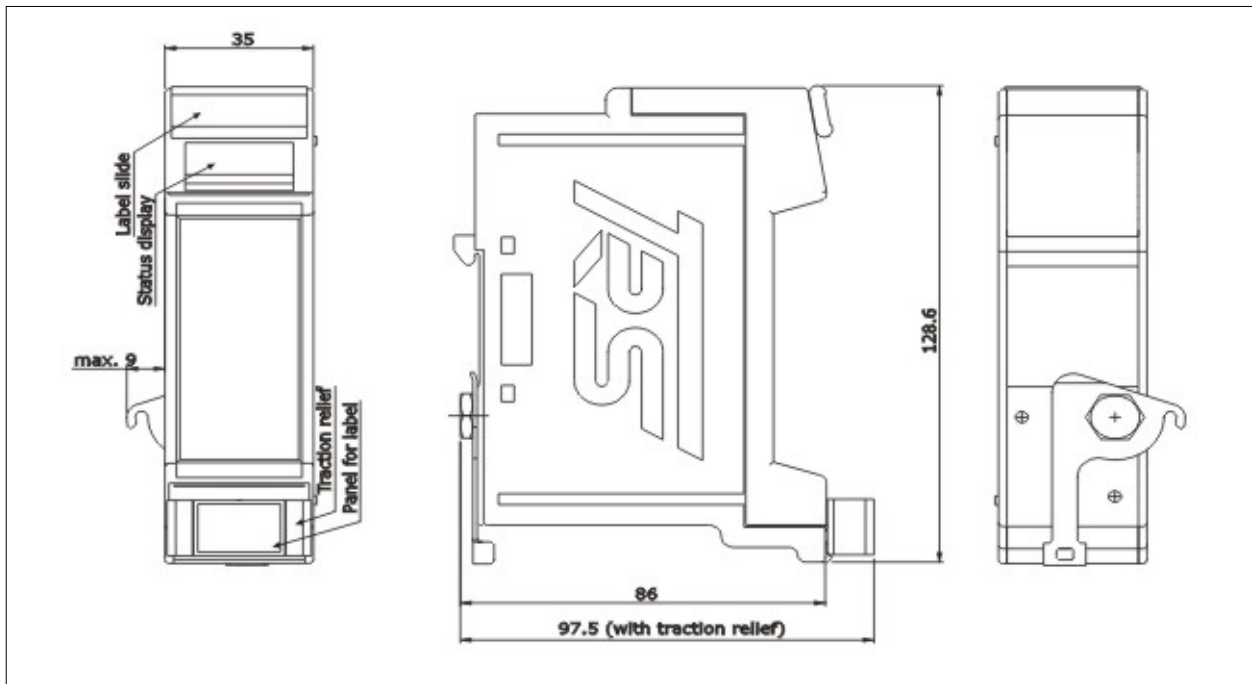
Environmental Conditions

EMC	EN 61000-4-2 (IEC-801-2) / EN 61000-4-4 (IEC-801-4)
Operating temperature [°C]	0 .. +55
Storage temperature [°C]	-20 .. +70
Humidity (rel)	98 % (non condensing)
* Protection class	IP 20 (DIN 40 050)
* The protection class is valid only with housing and connector installed	

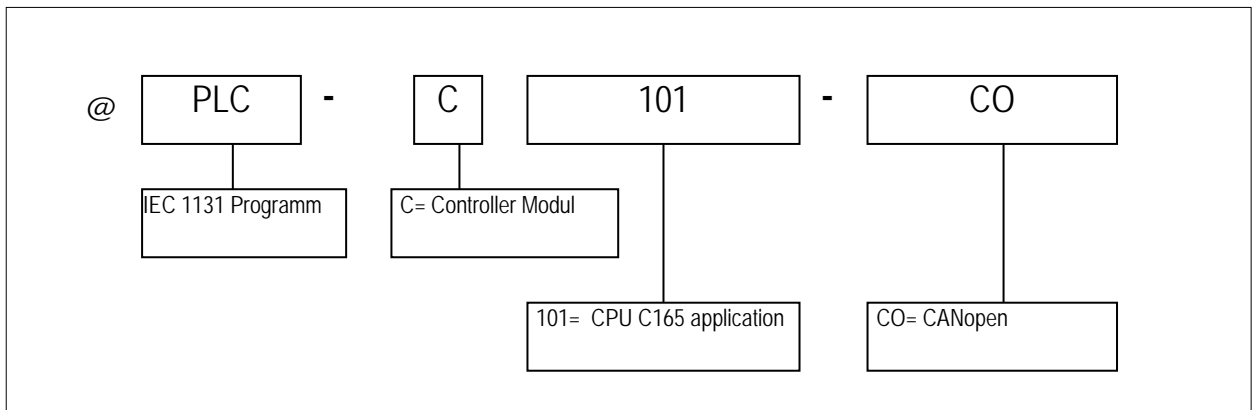
Mechanical Data

Weight	approx. 0.28 kg including connector
Dimension	105 x 80 mm

Drawing (effective if mounted in @M housing)



Ordering Key



TR-Systemtechnik GmbH, Eglshalde 16, 78647 Trossingen, Tel.: +49 (0) 7425 228-0, Fax: +49 (0) 7425 228-34, www.activeio.de, info@tr-systemtechnik.de

notes:

Description of the LEDs:

LED	Status	Description
RUN	ON	CPU has finished initialising
NET		
MOD		
FDX	ON	Transmitting CAN-Data
FTX	not used	
SDX	ON	Data on @Bus

Switches S2 and S1:

S2	S1	Node ID	Baudrate
0	1..9	1..9	20 kBaud
1	0..9	10..19	20 kBaud
2	1..9	1..9	125 kBaud
3	0..9	10..19	125 kBaud
4	1..9	1..9	500 kBaud
5	0..9	10..19	500 kBaud
6	1..9	1..0	1000 kBaud
7	0..9	10..19	1000 kBaud

Caution:

If using interface moduls of type @5xxx power 0V of the controller has to be directly connected with power 0V of the @5xxx-modul and power 0V of the interface partner of the @5xxx-modul.

TR-Systemtechnik GmbH, Eglisshalde 16, 78647 Trossingen, Tel.: +49 (0) 7425 228-0, Fax: +49 (0) 7425 228-34, www.activeio.de, info@tr-systemtechnik.de