

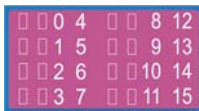
serial interface 5440



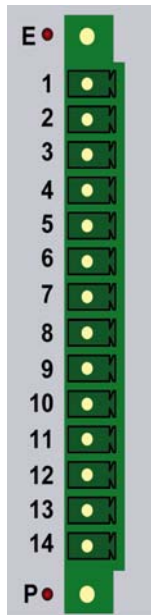
- 4 channel serial interface
- galvanically isolated
- RS232 Interfaces
- 128 bytes FIFO for all channels
- handles automatically handshake

I/O

Pinout



LED:	0; (8)	reserved
	1; (9)	reserved
	4;	reserved
	(12)	
	5;	reserved
	(13)	
E:	failure, red	
P:	power supply, red	



Pin	Signal
1	TX1
2	RX1
3	GND
4	TX2
5	RX2
6	GND
7	TX3
8	RX3
9	GND
10	TX4
11	RX4
12	GND
13	+24V
14	0V

Attributes

Dataformat:

asynchron serial
 1 start bit,
 5,6,7 or 8 data bits,
 parity none/even/odd
 1 or 2 stop bits

Available prints:

@P5240L: 2 ch. serial. RS232, RTS, CTS left slot
 @P5240R: 2 ch. serial. RS232, RTS, CTS right slot
 @P5241L: 2 ch. serial. RS232/485, left slot
 @P5241R: 2 ch. serial. RS232/485, right slot
 @P5242L: 2 ch. serial. RS422, left slot
 @P5242R: 2 ch. serial. RS422, right slot
 @P5440L: 4 ch. serial. RS232, left slot
 @P5440R: 4 ch. serial. RS232, right slot
 @P5441L: 4 ch. serial. RS485, left slot
 @P5441R: 4 ch. serial. RS485, right slot

Applications:

Connecting all kind of devices with a serial interface such as barcode reader, terminals, modems, data logger, text displays, serial keyboards and many others.

serial

input

Electrical Data

Power supply external 24V=+/-20%
 Operating current 30mA at 24V=, typical
 Operating current @ctiveBus 55 mA at 3,3V , 0mA at 5V
 Power supply protection 30V overvoltage, surge

serial interface 5440

System Information

System ID 0x20F
System address space 64 bit in, 64 bit out

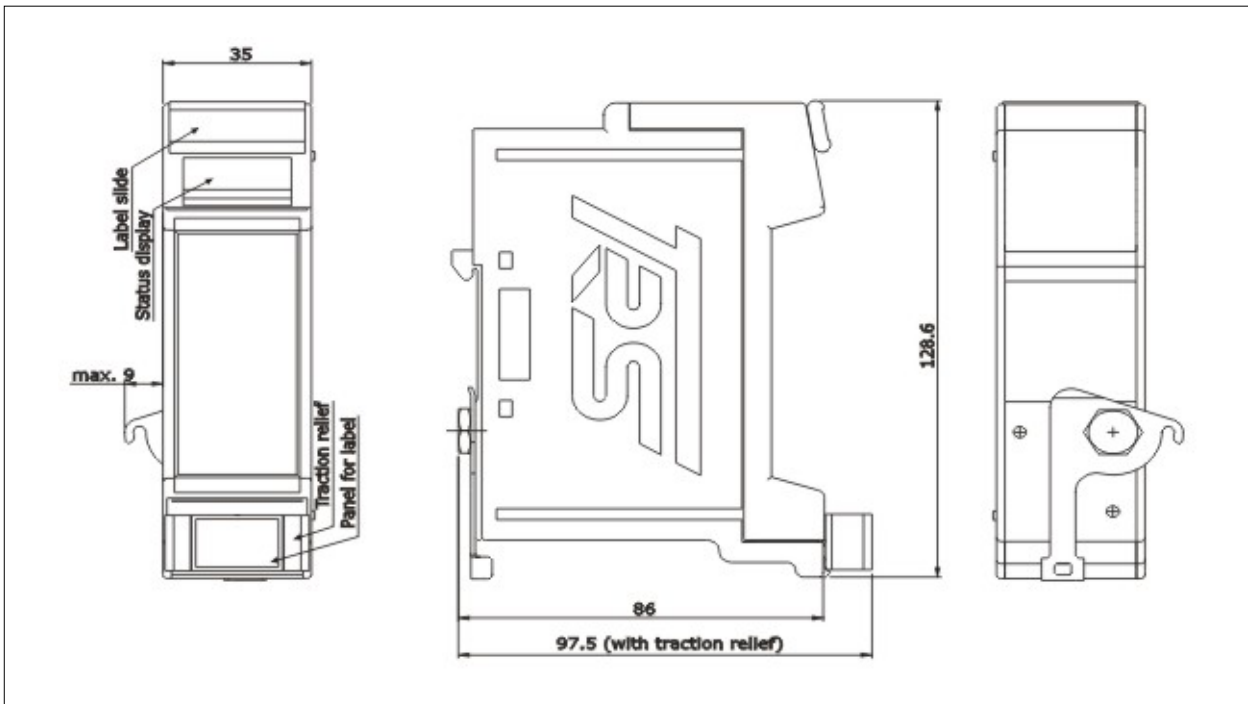
Environmental Conditions

EMC EN 61000-4-2 (IEC-801-2) / EN 61000-4-4 (IEC-801-4)
Operating temperature [°C] 0..+55
Storage temperature [°C] -20 .. +70
Humidity (rel) 98 % (non condensing)
Protection class* IP 20 (DIN 40 050)
**The protection class is valid only with housing and connector installed*

Mechanical Data (effective if mounted in @M housing)

Weight approx. 0,05 kg including connector (PCB only)
Dimension 105mm x 80mm x 12mm (PCB only)

Drawing (effective if mounted in @M housing)



Ordering Key

@	P	5	4	4	0	L	-					R

L= left slot
 0= RS232
 4= Serial Interface
 4= 4 channel , 2= 2 channel
 5= Digital Interface
 P= print only
 X= print and cap
 M= print and housing

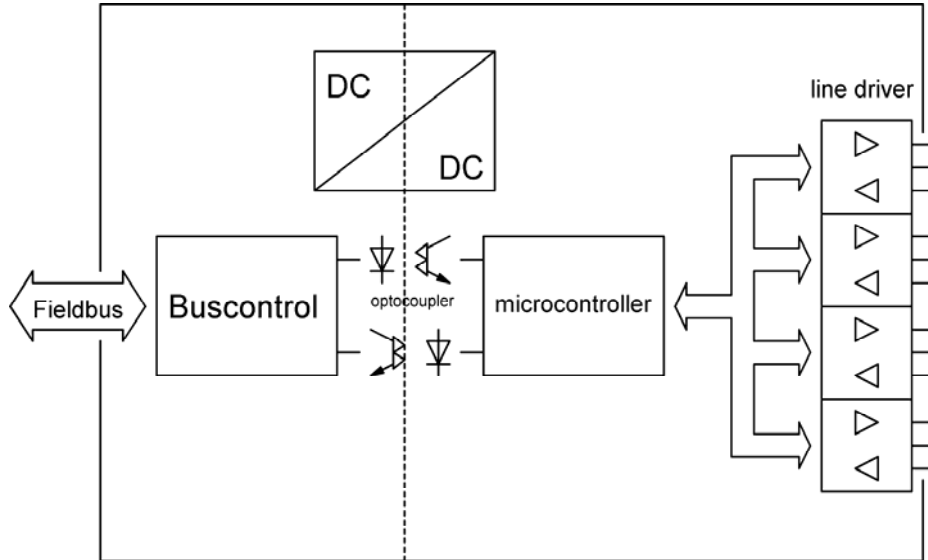
R= right slot
 Description if installed in the right slot.

TR-Systemtechnik GmbH, Eglisshalde 16, 78647 Trossingen, Tel.: +49 (0) 7425 228-0, Fax: +49 (0) 7425 228-34, www.activeio.de, info@tr-systemtechnik.de

TR-Systemtechnik GmbH, Eglshalde 16, 78647 Trossingen, Tel.: +49 (0) 7425 228-0, Fax: +49 (0) 7425 228-34, www.activeio.de, info@tr-systemtechnik.de

notes:

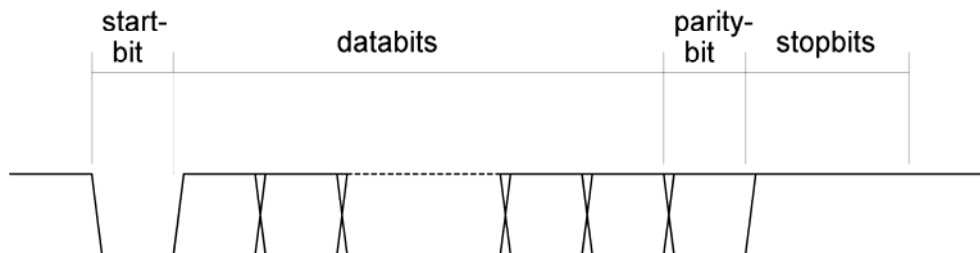
Block diagram



Functional description

The component connects different peripheral devices to the @ctive-IO-Bus. At the heart of the component is a microcontroller. All data from and to the serial interfaces passes over it. The microcontroller is connected to the bus controller using optocoupler. All serial interfaces are separated galvanically from the bus. The interfaces are not individually separated. Depending on the hardware configuration, RS232 or RS485/422 is available. As an option the microcontroller can use handshake-controls (RTS/CTS or XON/XOFF). The microcontroller controls the transmit direction when using RS485. The interface parameters are set by the host computer. Parameters like baud rate, data bits, stop bits and parity are selectable in a large range.

Data format:



I/O

serial

input

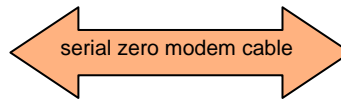
serial interface 5440

Example of Application

The interface between different serial devices and @ctiveIO controller.
For example connection with a serial modem.



Standard Modem (28,8k / 33,3k / 56k)



@P5240