

temperature input 3420

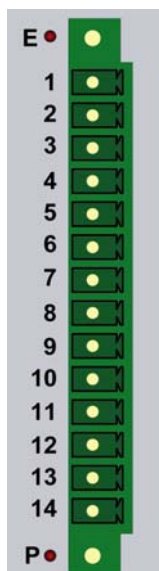


- 16 bit, 2-wire temperature sensing (RTD)
- galvanically isolated
- 4 channels, multiplexed sampling
- differential inputs

I/O

Pinout

LED:	0; (8)	Kanal 1 aktiv
	1; (9)	Kanal 2 aktiv
	2; (10)	Kanal 3 aktiv
	3; (11)	Kanal 4 aktiv
	4; (12)	Kanal 1 error
	5; (13)	Kanal 2 error
	6; (14)	Kanal 3 error
	7; (15)	Kanal 4 error
	E:	failure, red
	P:	power supply, red



Pin	Signal
1	RL0+
2	RL0-
3	AGND
4	RL1+
5	RL1-
6	AGND
7	RL2+
8	RL2-
9	AGND
10	RL3+
11	RL3-
12	AGND
13	+24V=
14	0V

Attributes

Dataformat:

Standard integer (16-Bit) format :

65535 = T_{max}

0 = T_{min}

Applications:

16 bit temperature sensing, 4 channels, 2-wire RTDs:

- @P3420L: temperature input, left slot
- @P3420R: temperature input, right slot

Related application:

16 bit temperature sensing, 2 channels, 2-wire RTDs:

- @P3220L: temperature input, left slot
- @P3220R: temperature input, right slot

18 bit temperature sensing, 3-wire RTDs:

- @P3221L: 2 channels, 18-bit temperature input
- @P3221R: 2 channels, 18-bit temperature input
- @P3421L: 4 channels, 18-bit temperature input
- @P3421R: 4 channels, 18-bit temperature input

18 bit temperature sensing, 4-wire RTDs:

- @P3222L: 2 channels, 18-bit temperature input
- @P3222R: 2 channels, 18-bit temperature input

18 bit temperature sensing, thermocouples

- @P3223L: 2 channels, 18-bit temperature input
- @P3223R: 2 channels, 18-bit temperature input
- @P3423L: 4 channels, 18-bit temperature input
- @P3423R: 4 channels, 18-bit temperature input

analog

input

Electrical Data

power supply external.....	24V= ±20%
operating current.....	60mA at 24V=, typical
operating current @ctiveBus	40mA at 3,3V / 0mA at 5V
power supply protection.....	30V overvoltage, surge

temperature input 3420

System Information

system ID	0x190
system address space	32 bit in, 32 bit out / multiplexed protocol

Environmental Conditions

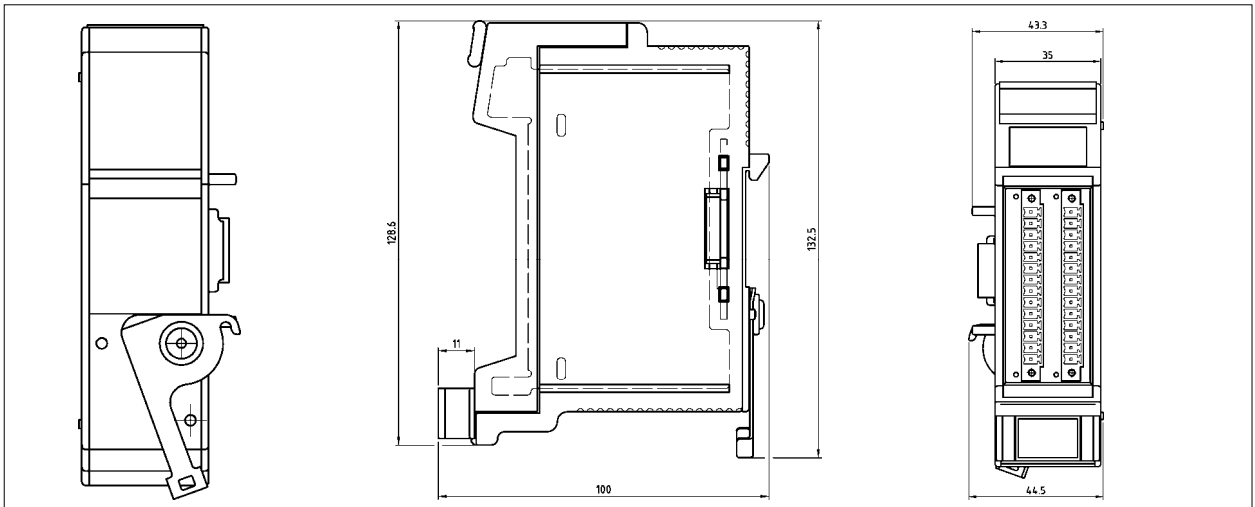
electromagnetic compatibility (EMC)	EN 61000-4-2 (IEC-801-2) / EN 61000-4-4 (IEC-801-4)
operating temperature [°C]	0..+55
storage temperature [°C]	-20 .. +70
humidity (rel)	98 % (non condensing)
protection class*	IP 20 (DIN 40 050)

*The protection class is valid only with housing and connector installed

Mechanical Data (effective if mounted in @M housing)

weight.....	approx. 0,05 kg including connector (PCB only)
dimension	105mm x 80mm x 12mm (PCB only)

Drawing (effective if mounted in @M housing)



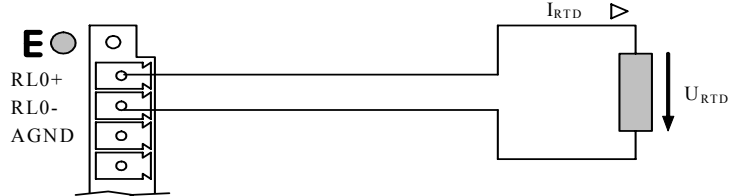
Ordering Key

@	[]	3	4	2	0	L	-	[]	[]	[]	[]	R
						L= left slot						R= right slot
						0= standard		Description if installed in the right slot.				
						2= temperature input						
						4= 4 channels						
						3= analog input						
						P= print only						
						X= print and cap						
						M= print and housing						

TR-Systemtechnik GmbH, Eglishalde 6, 78647 Trossingen, Tel.: +49 (0) 7425 228-0, Fax: +49 (0) 7425 228-34, www.activeio.de, info@tr-systemtechnik.de

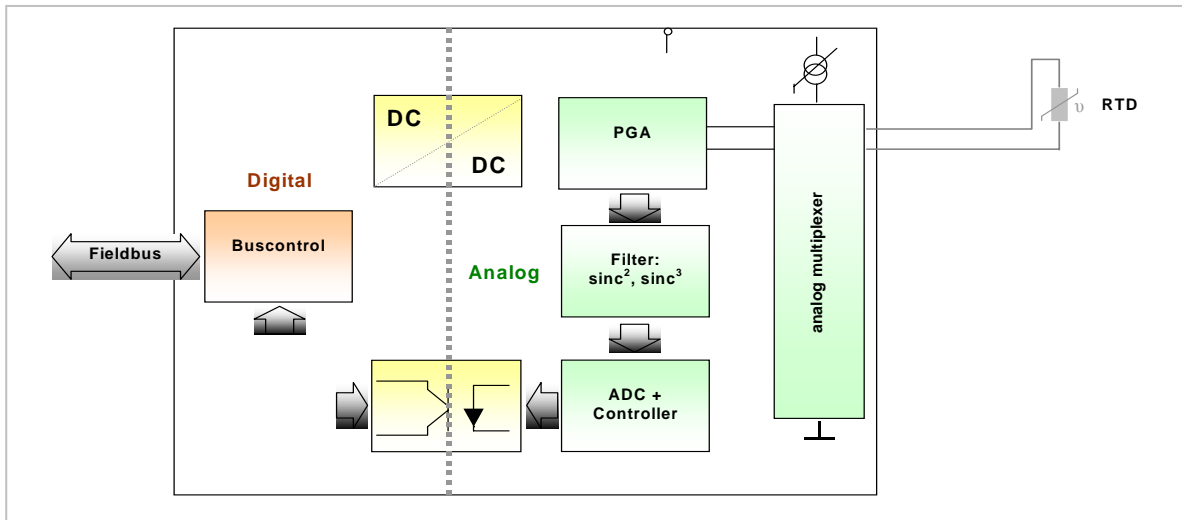
Example of Application

- 1 | RL0+
- 2 | RL0-
- 3 | AGND
- 4 | RL1+
- 5 | RL1-
- 6 | AGND
- 7 | RL2+
- 8 | RL2-
- 9 | AGND
- 10 | RL3+
- 11 | RL3-
- 12 | AGND
- 13 | 24V
- 14 | 0V



Functional description:

The @P3420 temperature input module allows resistance sensors (PT, NTC, PTC) to be connected directly. All standard types of resistance temperature detectors are supported, in the range of 100Ohm up to 1KOhm nominal resistance. The internal circuitry can handle two sensors using 3-wire connection technique. Linearization over the full temperature range is realised with the aid of a microprocessor and free configurable data tables. This makes the @P3420 module a quite versatile and customizable measurement unit, not only for temperature detection, but also for simple resistance measurement. Parameterisation may be carried via the fieldbus. The default linearization-tables indeed are selected in such a way, that in most cases no configuration or alteration is needed.



Block Diagram:

The measuring current (adjustable from 200µA up to 1,1mA) is switched between the input channels. RTD excitation is provided from the module by two matched current sources. When using a three-wire RTD, this method allows an equal current to flow in each RTD lead, which cancels the effects of lead resistances. Sensor malfunctions, such as broken or shorted wires, can be observed and indicated by the module.

The inputs can, if required, be scaled differently. The input range is resolved by the converter with an effective resolution of 18-Bit. In most cases this is quite enough to achieve a temperature resolution of 0.01°C. The accuracy of each channel is in between +/- 1.0 °C over the sensors temperature range.

TR-Systemtechnik GmbH, Eglshalde 6, 78647 Trossingen, Tel.: +49 (0) 7425 228-0, Fax: +49 (0) 7425 228-34, www.activeio.de, info@tr-systemtechnik.de

I/O

analog

input

temperature input 3420

Data Exchange (a quick overview)

System bus data during initialization:

Bit	Name	Description
3 - 0	STATUS / VERSION	Write: must be set to '0001' during initialization
		Read: returns the software version
7 - 4	TABLE 4	Write: identifies the sensor connected to channel 4
		Read: returns the last valid setting
11 - 8	TABLE 3	Write: identifies the sensor connected to channel 3
		Read: returns the last valid setting
15 - 12	TABLE 2	Write: identifies the sensor connected to channel 2
		Read: returns the last valid setting
19 - 16	TABLE 1	Write: identifies the sensor connected to channel 1
		Read: returns the last valid setting
20	not used	No function
21	not used	No function
22	ACTIVE 2	Write: a logic '1' activates channel number 2
		Read: returns the last valid setting
23	ACTIVE 1	Write: a logic '1' activates channel number 1
		Read: returns the last valid setting
27 - 24	not used	No function
31 - 28	HEADER	Write: always write a 0xA (10) to enable initialisation
		Read: returns the last valid setting + DONE bit

System bus data after initialization:

Bit	Name	Description
23 - 0	TEMPERATURE	Write: has no effect
		Read: the actual standardised temperature (1/100 Kelvin) of the current sampled channel
25 - 24	CHANNEL	Write: has no effect
		Read: the active channel number ('00' for channel 1 or '01' for channel 2)
27 - 26	not used	No function
30 - 28	HEADER	Write: changes operation mode of the module
		Read: returns the last valid setting + DONE

Temperature data:

The temperature data is standardized to 1/100 Kelvin. To get the temperature in °C a conversion is necessary. Here is conversion example in C:

```
Temperature Data = 0x85007477 // the temperature value sent by the module
```

```
Temperature Data &= 0x00FFFFFF; // mask the header
```

```
Temperature Data = (Temperature Data - 27315)/100;
```

The result in this example would be 25.00°C

For a detailed description of the temperature module please refer to the temperature module user guide.

TR-Systemtechnik GmbH, Eglshalde 6, 78647 Trossingen, Tel.: +49 (0) 7425 228-0, Fax: +49 (0) 7425 228-34, www.activeio.de, info@tr-systemtechnik.de

Revision change

version		description	date
00		serie 0	11/03

I/O

analog

input