

analog input 3400

I/O

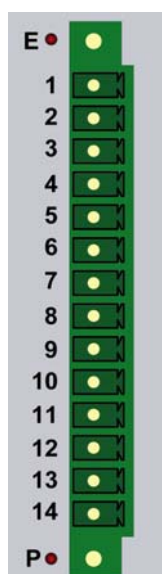


- 16 Bit analog input
- $\pm 10V$
- 4 Channels, simultaneous sampling
- Differential input
- Galvanically isolated

TR-Systemtechnik GmbH, Eglisshalde 16, 78647 Trossingen, Tel.: +49 (0) 7425 228-0, Fax: +49 (0) 7425 228-34, www.tr-systemtechnik.de, info@tr-systemtechnik.de

Pinout

0	4	8	12
1	5	9	13
2	6	10	14
3	7	11	15



LED:	
0; (8)	Ch0: positive input voltage
1; (9)	Ch1: positive input voltage
2; (10)	Ch2: positive input voltage
3; (11)	Ch3: positive input voltage
4; (12)	Ch0: negative input voltage
5; (13)	Ch1: negative input voltage
6; (14)	Ch2: negative input voltage
7; (15)	Ch3: negative input voltage
E:	failure: red
P:	power supply, red

Pin	Signal
1	CH0 +
2	CH0 -
3	AGND
4	CH1 +
5	CH1 -
6	AGND
7	CH2 +
8	CH2 -
9	AGND
10	CH3 +
11	CH3 -
12	AGND
13	Power 24V DC
14	Power 0V

Attributes

Dataformat:

Standard integer (16-Bit) format:
 $+32767 = +10V$
 $0 = 0V$
 $-32768 = -10V$

Applications:

16 bit analog input, voltage sensing
 available prints :

- @P3400L: 4 channels, 16 bit analog input, $\pm 10V$
- @P3400R: 4 channels, 16 bit analog input, $\pm 10V$

Related Applications:

2 channels, voltage sensing:

- @P3200: 2 channels, 16 bit analog input, $\pm 10V$

2/4 channels, current sensing:

- @P3210: 2 channels, 16 bit analog input, $\pm 20mA$
- @P3410: 4 channels, 16 bit analog input, $\pm 20mA$

analog

input

Electrical Data

Power supply external	+24V DC $\pm 20\%$
Operating Current.....	35mA at +24V, typical
Operating current @ctiveBus	10mA at +3.3V/ 15mA at +5V
Input protection.....	30V overvoltage, surge
Differential input voltage.....	60V, maximum
Input resistance.....	1M Ω
Measurement error.....	< $\pm 0.2\%$ (of upper range value)
Input capacity	160nF
Maximum sampling frequency.....	80kHz
Input frequency.....	10kHz
Resolution / Accuracy.....	16 bit / 13 bit
No. of converters.....	4, simultaneous sampling, no multiplexers

analog input 3400

System Information

System ID 0x0208
 System address space 64 bit in, 64 bit out

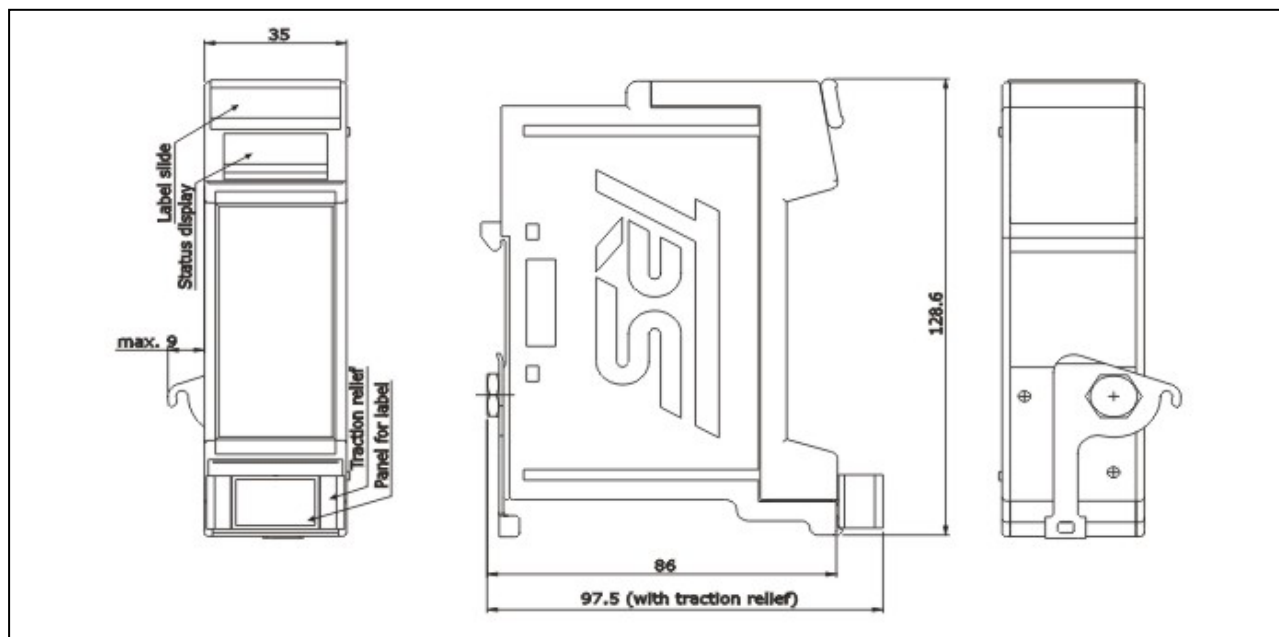
Environmental Conditions

Electromagnetic compatibility (EMC) EN 61000-4-2 (IEC-801-2) / EN 61000-4-4 (IEC-801-4)
 Operating temperature [°C] 0...+50
 Storage temperature [°C] -20...+70
 Humidity (rel) 98 % (non condensing)
 Protection class* IP 20 (DIN 40 050)
 *The protection class is valid only with housing and connector installed

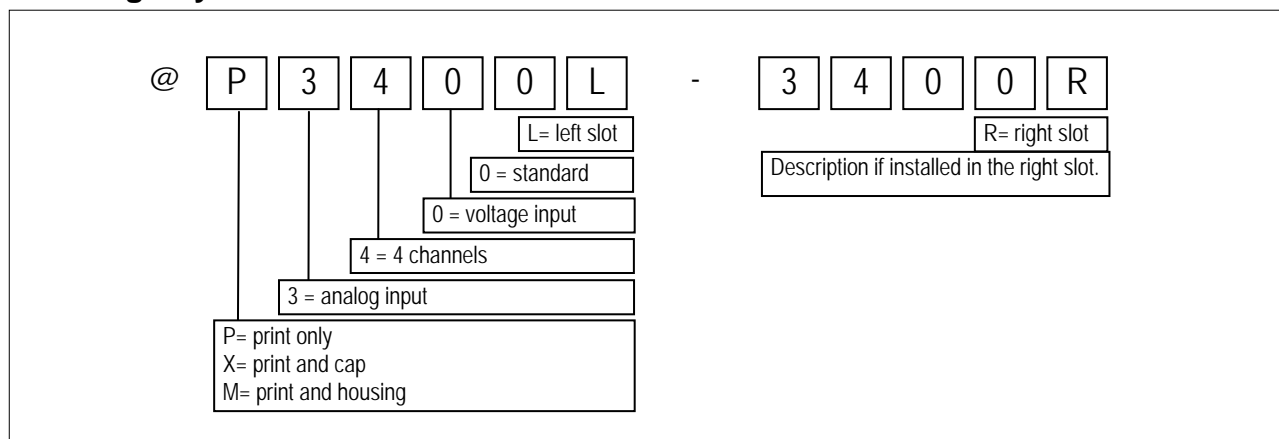
Mechanical Data PCB

Weight approx. 0.05 kg including connector
 Dimension 105mm x 80mm x 12mm

Drawing (effective if mounted in @M housing)



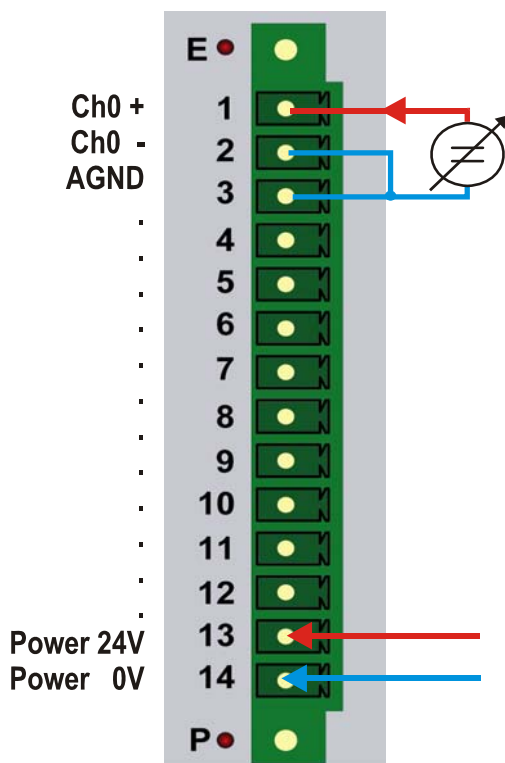
Ordering Key



analog input 3400

notes:

Connection



Revision change

Version	Description	Date (m/y)
00	serie 0	09/03
01	added: diagram of change in offset	04/04
02	changes in technical data and in document design	05/07

I/O

analog

input

TR-Systemtechnik GmbH, Eglisshalde 16, 78647 Trossingen, Tel.: +49 (0) 7425 228-0, Fax: +49 (0) 7425 228-34, www.tr-systemtechnik.de, info@tr-systemtechnik.de