

Controller @C200-EN

CPU



- 10/100Mbit Ethernet Interface
- TCP/IP, RS232 for programming and diagnostic
- Ethernet IO
- Program download by ftp

TR-Systemtechnik GmbH, Eglshalde 16, 78647 Trossingen, Tel.: +49 (0) 7425 228-0, Fax: +49 (0) 7425 228-34, www.activeio.de, info@tr-systemtechnik.de

Pinout

LED: *)see notes	
RUN	CPU: ok
DIAG	CPU: diagnostic LED
ERR	CPU: Error LED
SDX	CPU: system data transmssion @BUS
ACT	Ethernet: Transmit
LINK	Ethernet: link ok
SP	Ethernet: Off: 10Mbit; on:100Mbit
COLL	Ethernet: Collision
Rotary switch:	
Hi:	Reserved
Lo:	Reserved
Connectors	
Ethernet 10/100Mbit:	RJ45 Pin 1: TX Pin 2: RX Pin 3: GND
Power:	Phoenix Minicombicon Pin 1:24 V Pin 2: 0 V

Attributes

10/100Mbit Ethernet Interface:

Additional Fieldbus-interface available.
Serial interfaces: RS232, optional RS485*).
The @C200-EN contains a ARM7 core controller.

IP-Address:

IP-Adress would be given by @ctiveIO-Toolkit.
Rotary switch for fieldbus-address.

CPU specifications:

Flash memory : 2 MByte (16 Bit)
SDRAM : 4 MByte (32 Bit)
CPU clock :44 MHz

System specifications:

- Hardware supervisor system :
- temperature control
 - power control
 - hardware watchdog
 - power fail system
 - supports UPS

*) on request

Electrical Data

Power supply external.....	+24V= ± 20%, see notes
Operating Current	95mA at +24V
Protection	30V overvoltage, surge
Interfaces	RS232, 10/100Mbit Ethernet

Controller @C200-EN

System Information

System ID0x1271
 Hardware releaseB@P12020B_

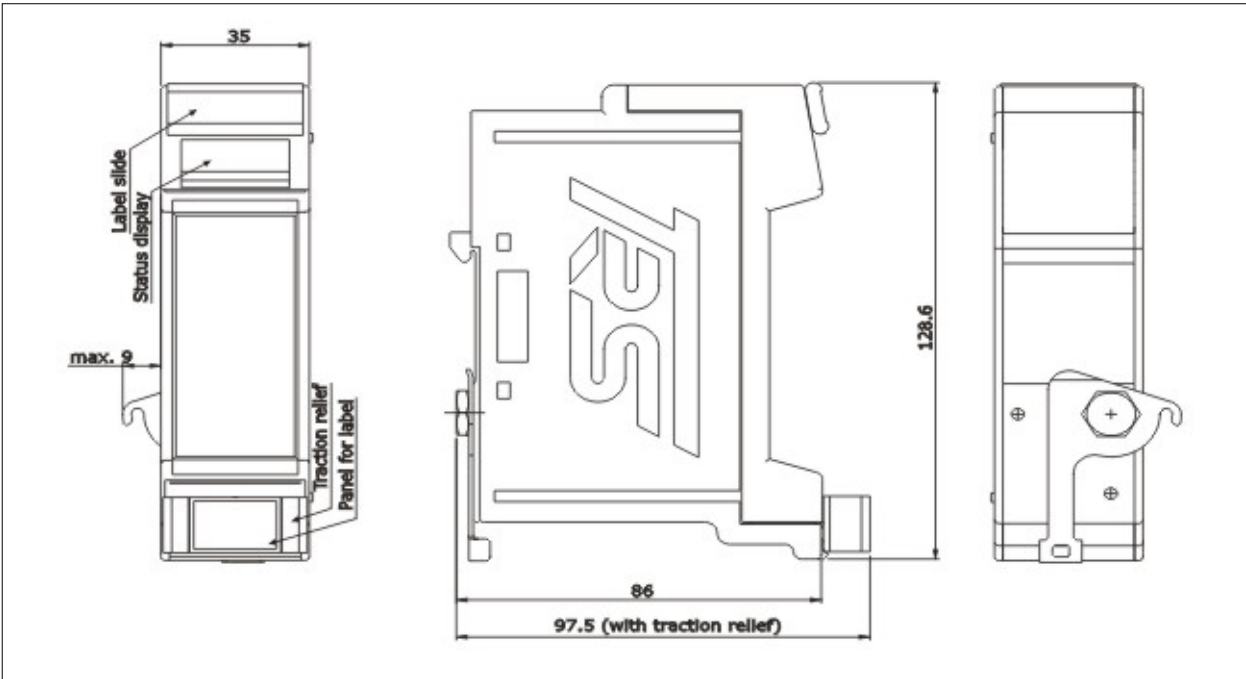
Environmental Conditions

EMCEN 61000-4-2 (IEC-801-2) / EN 61000-4-4 (IEC-801-4)
 Operating temperature [°C]0 .. +55
 Storage temperature [°C]-20 .. +70
 Humidity (rel)98 % (non condensing)
 * Protection classIP 20 (DIN 40 050)
 * The protection class is valid only with housing and connector installed

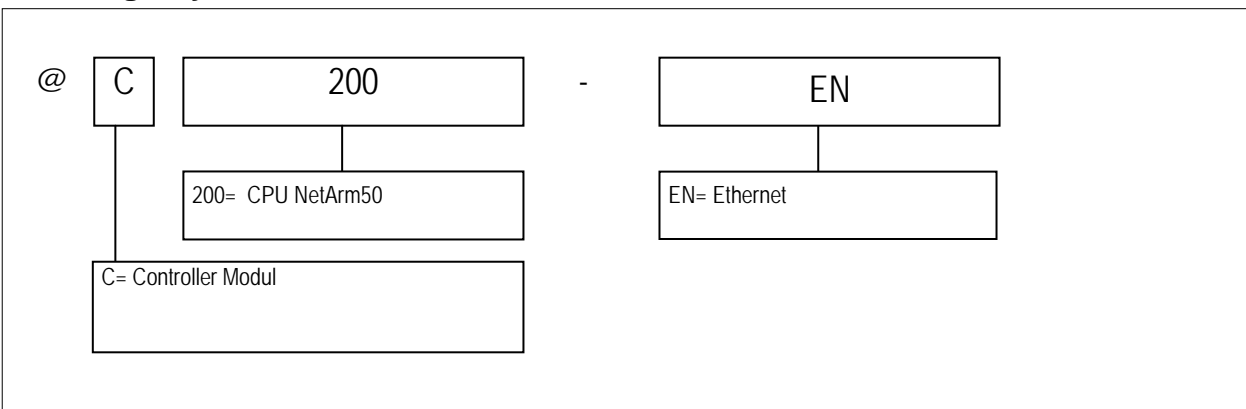
Mechanical Data

Weightapprox. 0.28 kg including connector
 Dimension105 x 80 mm

Drawing (effective if mounted in @M housing)



Ordering Key



notes:

Description of the LEDs:

LED	Status	Description
RUN	ON	CPU is running
DIAG	ON	Diagnostic information available: Warning / Error
ERR	ON	Error on fieldbus, no diagnostic information available
	Flashing	Error (see diagnostic information)
S DX	ON	Data on @Bus
ACT		Datatransfer on network
LINK	ON	Network connected
SP	ON	Netspeed 100Mbit
COLL	ON	Datacollision on Network

Special operating modes (DIAG and ERR LED):

- ftp server active:** DIAG and ERR in alternating blink mode
- System init in progress:** DIAG and ERR in concurrent blink mode

Caution:

If using interface moduls of type @5xxx power 0V of the controller has to be directly connected with power 0V of the @5xxx-modul and power 0V of the interface partner of the @5xxx-modul.

Revision change

Version	Description	Date (m/y)
00	serie 0	11/02
01	Redesign	08/04

TR-Systemtechnik GmbH, Eglshalde 16, 78647 Trossingen, Tel.: +49 (0) 7425 228-0, Fax: +49 (0) 7425 228-34, www.activeio.de, info@tr-systemtechnik.de