

Controller @C100-PB

CPU



- Profibus-DP
- Automatic Baudrate Detection (up to 12MBAud)
- RS232 for programming and diagnostic

Pinout

LED:	RUN	see notes
	DIAG	
	ERR	
	FDX	
	FTX	
	SDX	



Address:	
X10	decimal place of the add.
X1	unit place of the add.
Profibus-DP:	
Pin 3	PB_B
Pin 4	PB_RTS
Pin 5	PB_GND
Pin 6	+5V=
Pin 8	PB_A
Serial:	
Pin 1	TxD RS232
Pin 2	RxD RS232
Pin 3	reserved
Pin 4	reserved
Pin 5	0V
Pin 6	nc.
Pin 7	reserved for RS485+
Pin 8	reserved for RS485-
Power:	
Pin 1	+24V=
Pin 2	0V

Attributes

Fieldbus Interface:

The @C100-PB connects the Profibus system to the IO-Moduls.

The @C100-PB contains a C165 µController

Address:

The bus-address can be adjusted with two HEX-rotary-switches. X1 is the unit place, X10 the decimal place.

CPU specifications:

Flash memory : 1 MByte (16 Bit)
 SRAM : 512 kByte (16 Bit)
 CPU clock :44 MHz

Profibus specifications:

Pofibus controller :SPC3 or compatible

System specifications:

Hardware supervisor system :

- temperature control
- power control
- hardware watchdog
- power fail system
- supports UPS

Electrical Data

Power supply external +24V= ± 20% , see notes
 Operating Current 175mA at 24 V
 (only Controller, else depends from quantity of connected Modules)
 Input protection 30V overvoltage, surge
 Serial Interface RS232

Controller @C100-PB

System Information

System ID	0x1101
-----------------	--------

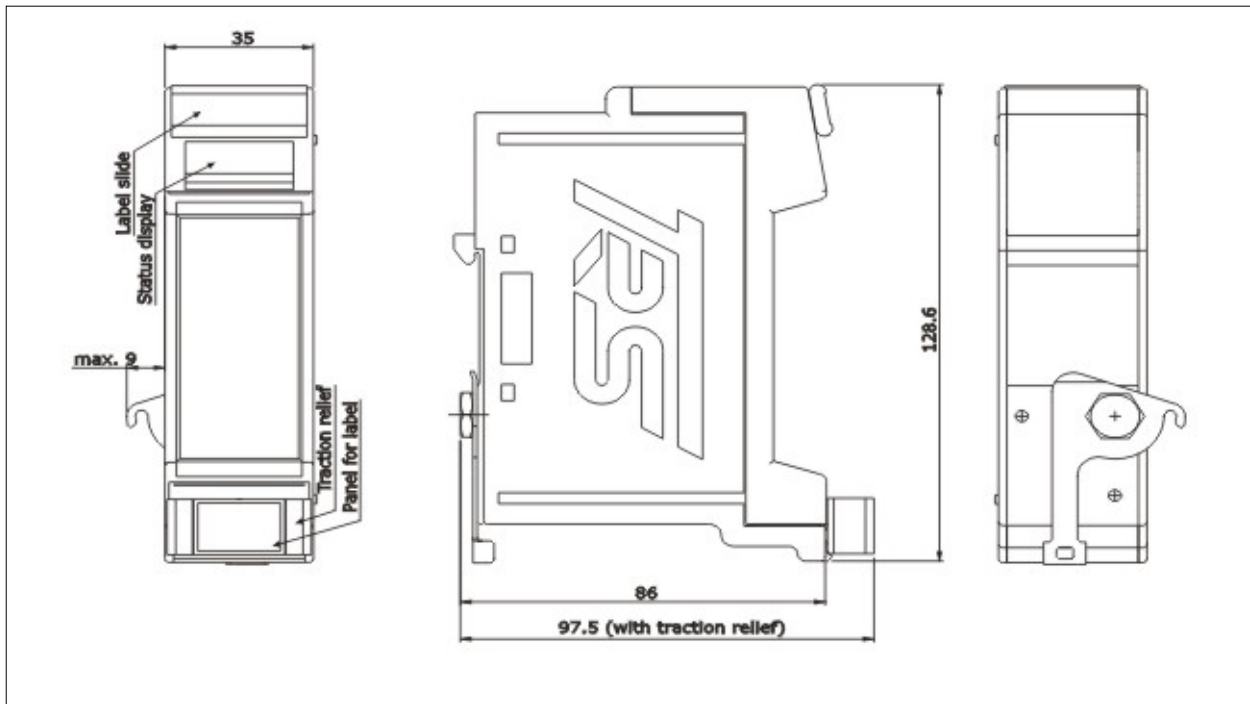
Environmental Conditions

EMC	EN 61000-4-2 (IEC-801-2) / EN 61000-4-4 (IEC-801-4)
Operating temperature [°C]	0 .. +55
Storage Temperature [°C]	-20 .. +70
Humidity (rel)	98 % (non condensing)
* Protection class	IP 20 (DIN 40 050)
* The protection class is valid only with housing and connector installed	

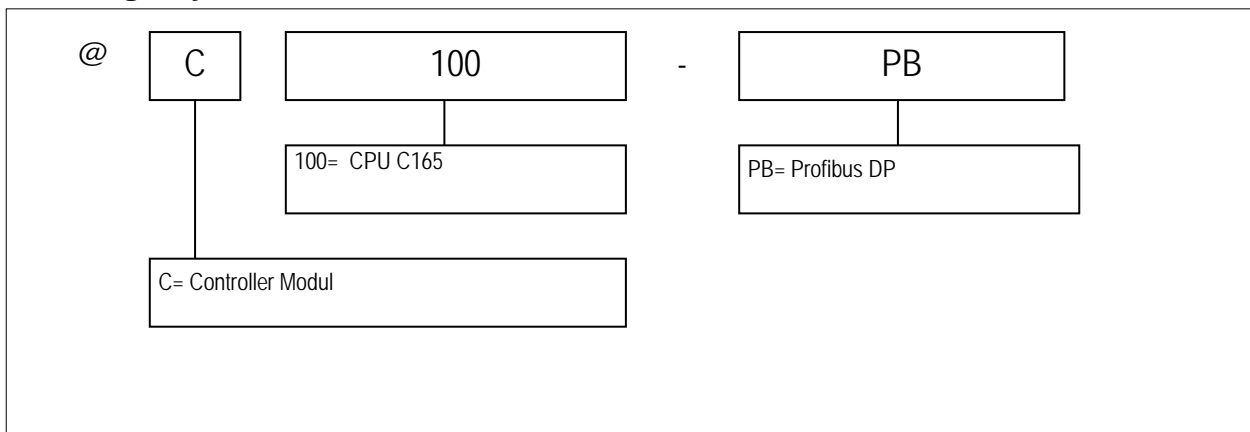
Mechanical Data (effective if mounted in @M housing)

Weight	approx. 0.28 kg including connector
Dimension	105 x 80 mm

Drawing (effective if mounted in @M housing)



Ordering Key

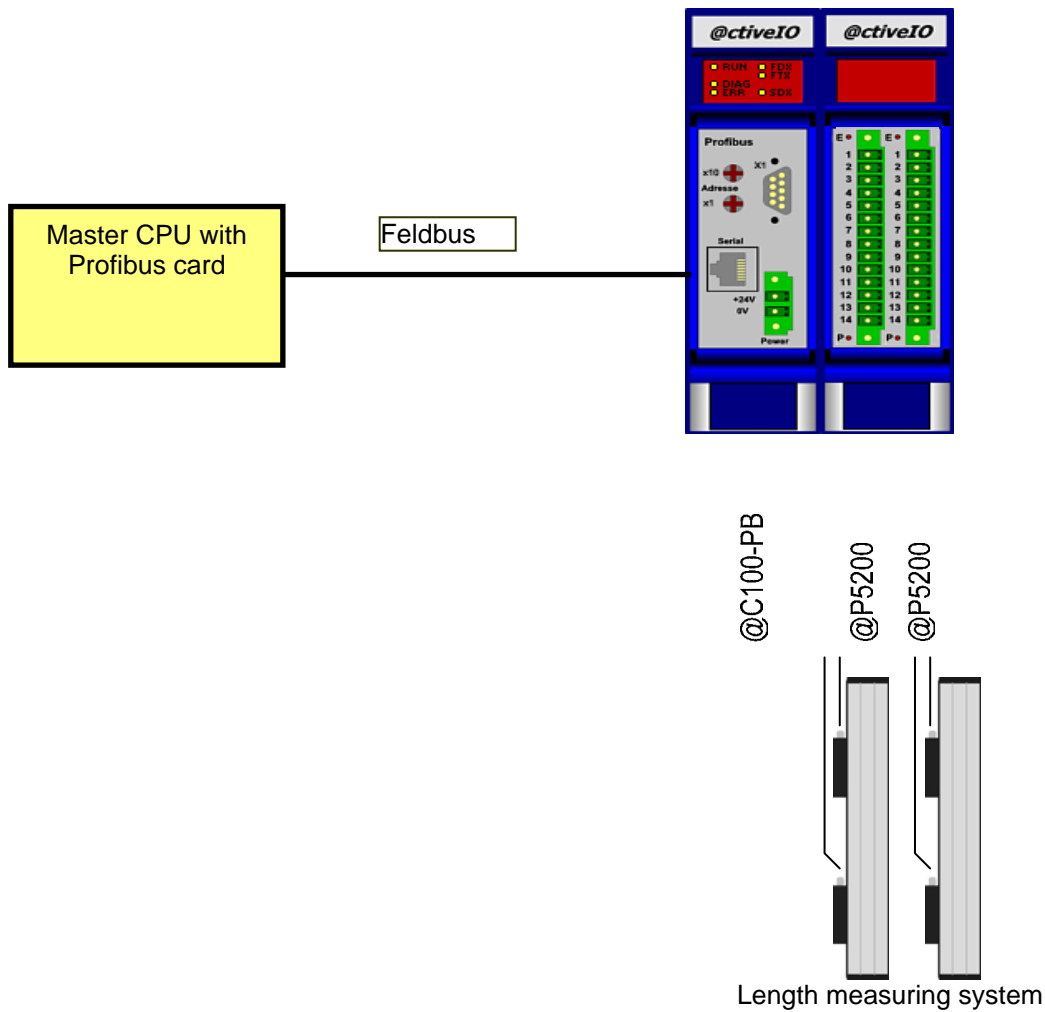


TR-Systemtechnik GmbH, Eglisshalde 16, 78647 Trossingen, Tel.: +49 (0) 7425 228-0, Fax: +49 (0) 7425 228-34, www.activeio.de, info@tr-systemtechnik.de

Example of Application

CPU

Controller @C100-PB and @P5200L+R SSI Interfaces



TR-Systemtechnik GmbH, Eglisshalde 16, 78647 Trossingen, Tel.: +49 (0) 7425 228-0, Fax: +49 (0) 7425 228-34, www.activeio.de, info@tr-systemtechnik.de

Controller @C100-PB

notes:

Description of the LEDs:

LED	Status	Description
RUN	ON	CPU has finished initialising
DIAG	ON	Diagnostic- or error-information can be read
ERR	Flashing	error-information can be read
	ON	no profibus connection
FDX	ON	Receiving Profibusdata
FTX	ON	Sending Profibusdata
SDX	ON	Data on @Bus

Caution:

If using interface moduls of type @5xxx power 0V of the controller has to be directly connected with power 0V of the @5xxx-modul and power 0V of the interface partner of the @5xxx-modul.

Revision change

Version	Description	Date (m/y)
00	Serie 0	09/02

TR-Systemtechnik GmbH, Eglisshalde 16, 78647 Trossingen, Tel.: +49 (0) 7425 228-0, Fax: +49 (0) 7425 228-34, www.activeio.de, info@tr-systemtechnik.de